

IONIC

Single Pack Nutrient Solutions

IONIC HYDRO

Nutrients for hydroponic cultivation

Hydroponics

Our background, and long experience in commercial hydroponics was the basis for the development of IONIC nutrients. Plants in hydroponic systems are entirely dependent on the solution for their nutrition. It has to be correctly formulated, it has to be stable and it has to be consistent. Ionic nutrients are fully complexed in the manufacturing process; key minerals are locked together in large molecules to ensure their precise delivery to the plant. To our knowledge this is the only product in the world that is formulated and manufactured in this way and to this supreme standard of precision.

State of the art nutrition for plants in all types of hydroponic systems

IONIC for Hydroponics

- IONIC Hydro nutrients are formulated specifically for hydroponic cultivation. They are complete in every elemental detail and balanced for precise delivery of nutrients to the plant.
- IONIC Hydro nutrients are available in standard and hard water options – in either case precisely tailored to the water supply.
- IONIC Hydro nutrients are available in Grow and Bloom options. These variations are based upon the nutritional requirements of green plants at each stage of the growth cycle. The Grow formulation is designed to maximise potential for vigorous vegetative growth while the Bloom nutrient is loaded with the crucial elements that support heavy flowering.
- IONIC Hydro nutrients have a highly stable pH due to unique reactive buffering processes incorporated into the manufacturing process. This reduces fluctuations in the tank and cuts down the workload for the grower.



IONIC solutions are available in:
1 litre 2 litres 5 litres 20 litres

Hard Water

Growers in hard water areas should use the special IONIC HW formulation. The Hard Water product has a distinctive HW label on the bottle. Both types of IONIC are available in Grow and Bloom formulations.

IONIC Hard Water solution is more acidic. This is achieved by careful selection of the component mineral salts. A more acidic solution will neutralise bicarbonates on its own. This will reduce the amount of acid needed to control the pH and thus reduce the chance of phosphate accumulation. IONIC Hard Water solution is also specially formulated to take account of the minerals, such as calcium, that are usually present in hard water. By lowering these elements in the nutrient solution it is possible to ensure that the final solution is as close as possible to ideal levels of the major elements. This will reduce the problems associated with hard water and allow the grower to maintain the tank for longer periods between changes.



Growth Technology

Full detailed instructions are supplied with every bottle. Replacement instructions can be accessed from our website at www.growthtechnology.com, or just give us a call.



HARD WATER? ... NOT SURE?

The Growth Technology Hard Water Test Kit is a quick and simple way to check your water supply. Just dip the test strip in tap water and compare the colour on a chart.

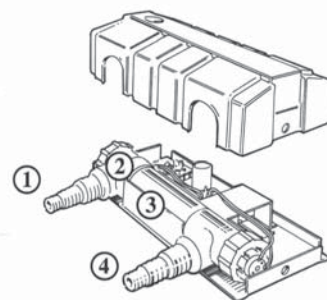
Ask at your local Growth Technology supplier or contact us direct for your kit.

IONIC UV

Ultra Violet (UV) sterilisation is one of the most successful means to control root diseases such as *Pythium* in hydroponic systems. However the continuous use of UV will cause certain mineral elements to drop out of solution very quickly. For the hobby grower, with a small tank, this can cause major problems within days.

IONIC Balance UV is formulated to make up the missing elements in the same ratio that they are removed by UV. Just add Balance UV to your tank twice a week and you will be able to maintain a full mineral profile.

Full instructions supplied.



*The Vecton UV Steriliser
– available from Growth Technology*

IONIC for Hydroponic Applications

IONIC Hydro nutrients are suitable for all hydroponic applications

Application	Suggested Nutrient	pH Range	EC	Notes
PERLITE and other inert media Passive hydroponics	IONIC Hydro GROW or BLOOM Use HW option in hard water areas	5.5–6.2	2.0 mS/cm	Flush regularly. Check pH and EC in reservoirs (saucers) daily.
ROCKWOOL Passive	IONIC Hydro GROW or BLOOM Use HW option in hard water areas	5.5–5.8	1.5 mS/cm	Flush regularly. Monitor the drain water (run-off).
ROCKWOOL Re-circulate	IONIC Hydro GROW or BLOOM Use HW option in hard water areas	5.5–5.8	1.5 mS/cm	Check and correct the pH and EC daily. Take sample from the slabs
FLOOD & DRAIN	IONIC Hydro GROW or BLOOM Use HW option in hard water areas	5.5–6.2	2.0 mS/cm	Check and correct the pH and EC daily.
NFT	IONIC Hydro GROW or BLOOM Use HW option in hard water areas	5.5–6.2	2.0 mS/cm	Check and correct the pH and EC daily.

